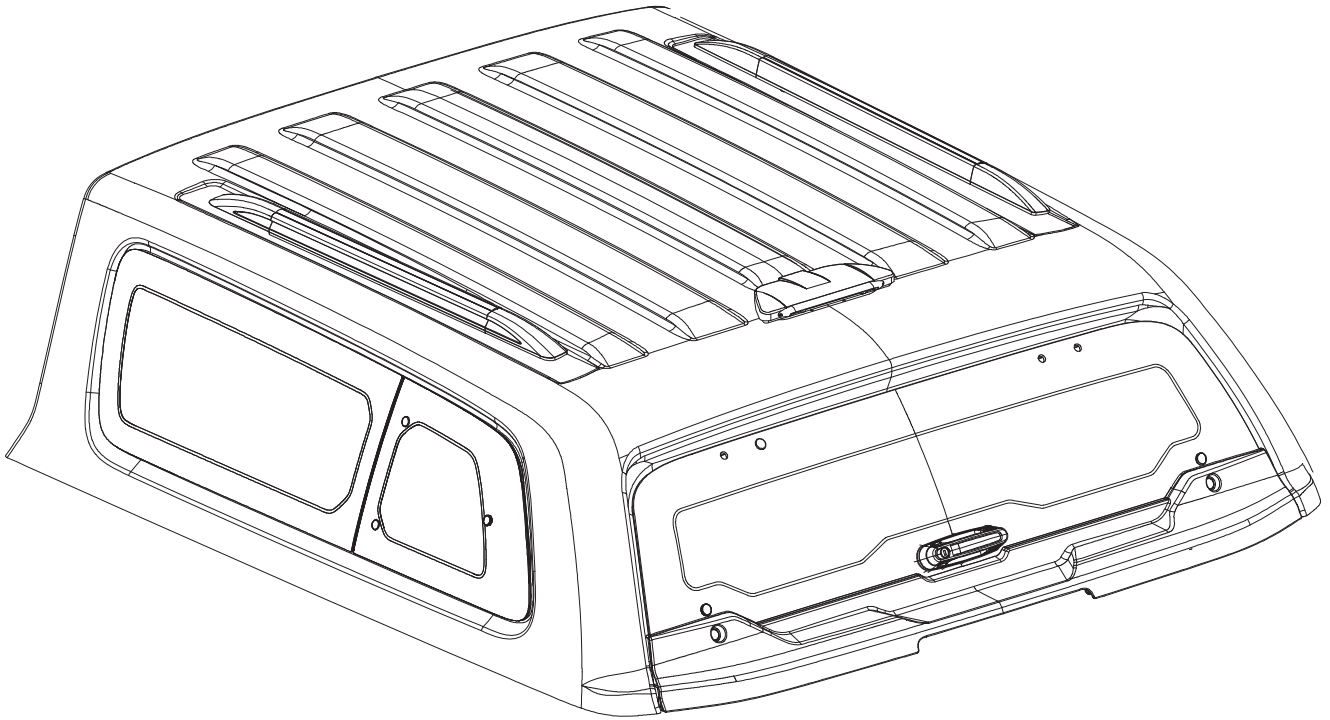


# Part Number

FORD RANGER ( 2022 → ...)

# INSTALLATION MANUAL

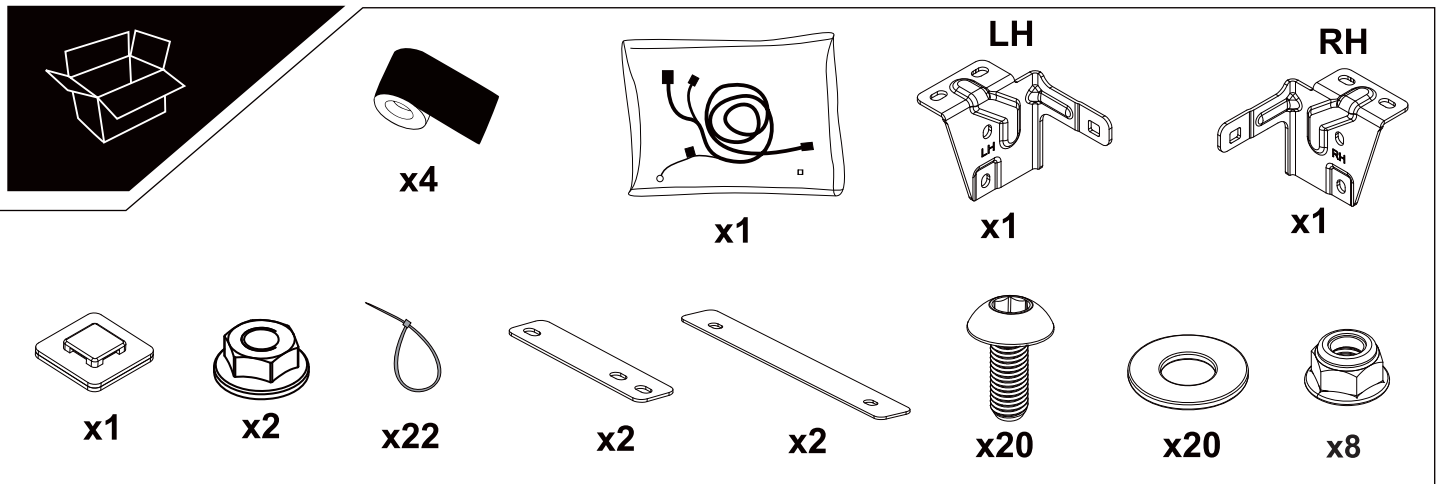
## CANOPY ACA STYLISH FORD P703 EU

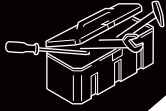


### LIST OF PARTS

No.	PART NAME	Q.TY
1	Protective Tape	4
2	L-R front bracket	1LH & 1RH
3	Middle bracket	2
4	Rear bracket	2
5	Cabin hardness	1
6	Cable tie	22

7	Torx screw M8x25 mm.	20
8	Flange nylon lock nut M8	8
9	Flange Nut M6	2
10	Cable tie mount	1
11	Washer M8	20

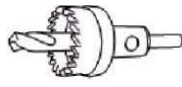
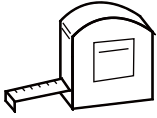
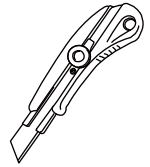
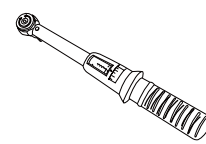




Soap water 3-5 %



No.T40



Ø30

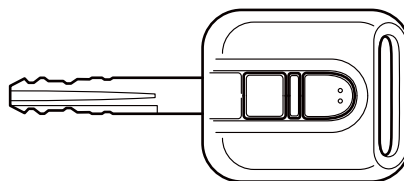
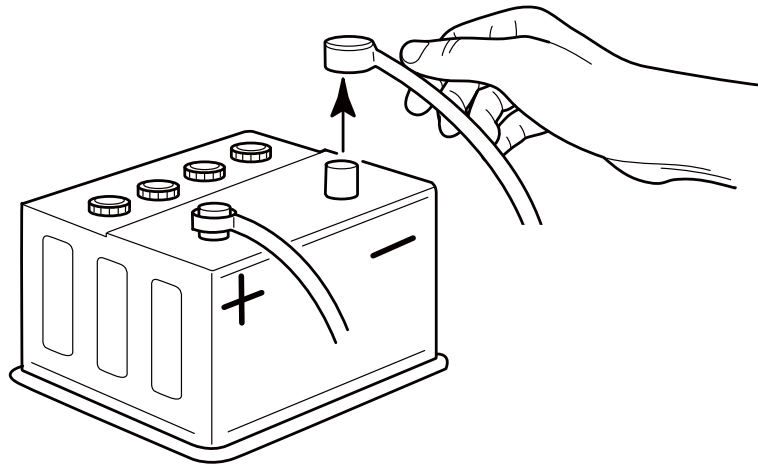
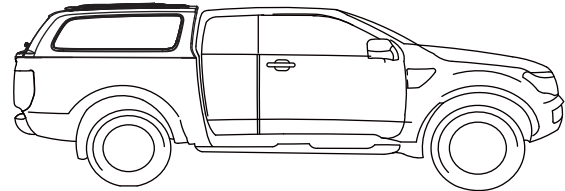
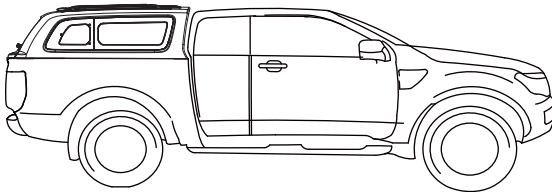
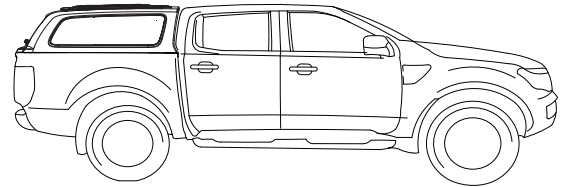
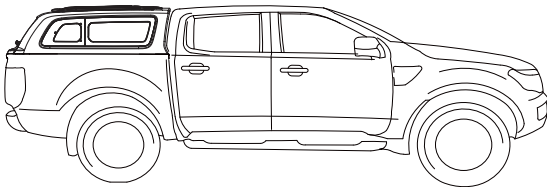


Wrench No.12

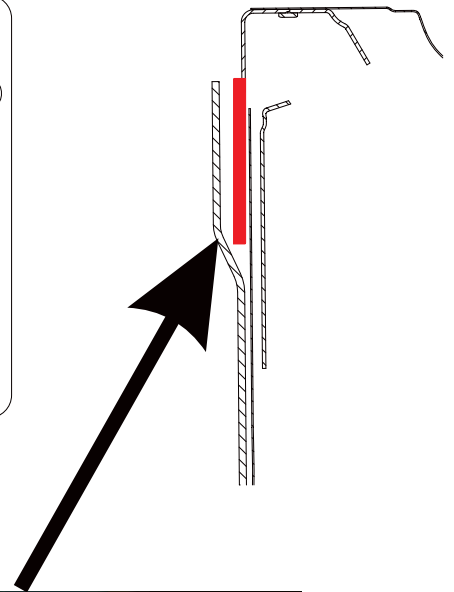
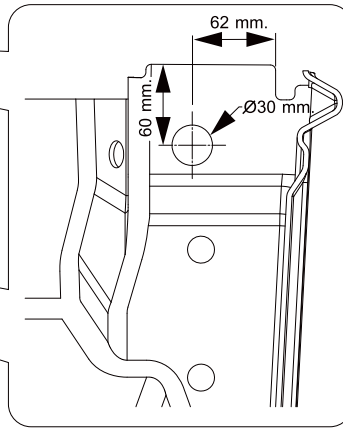
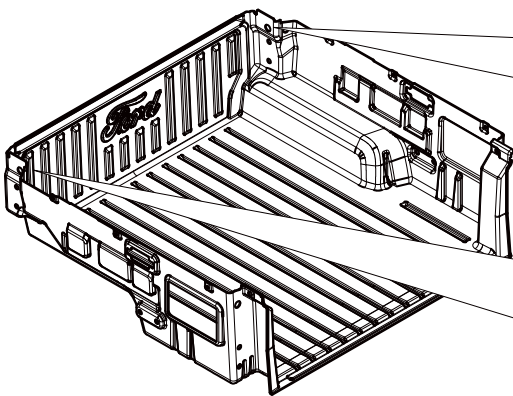
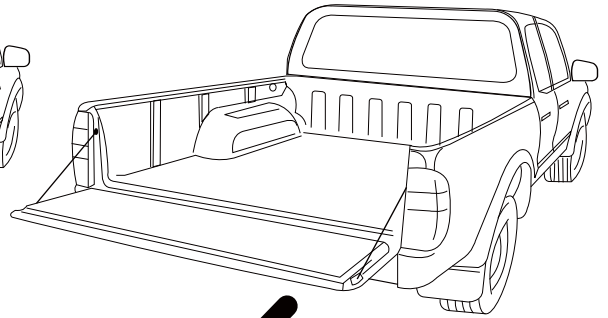
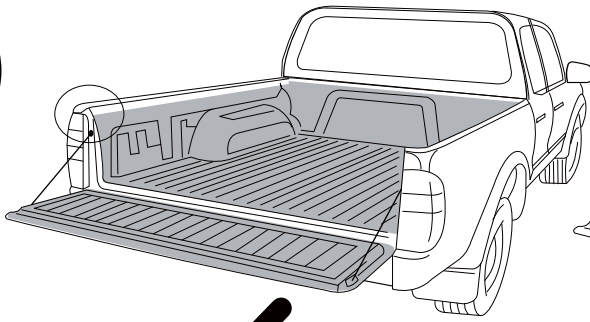
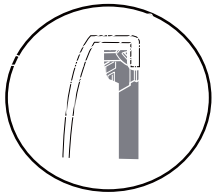



STYLISH

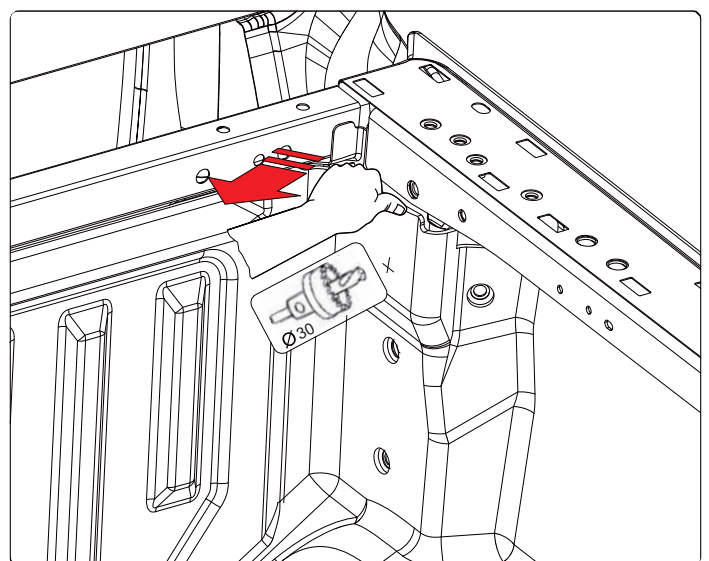
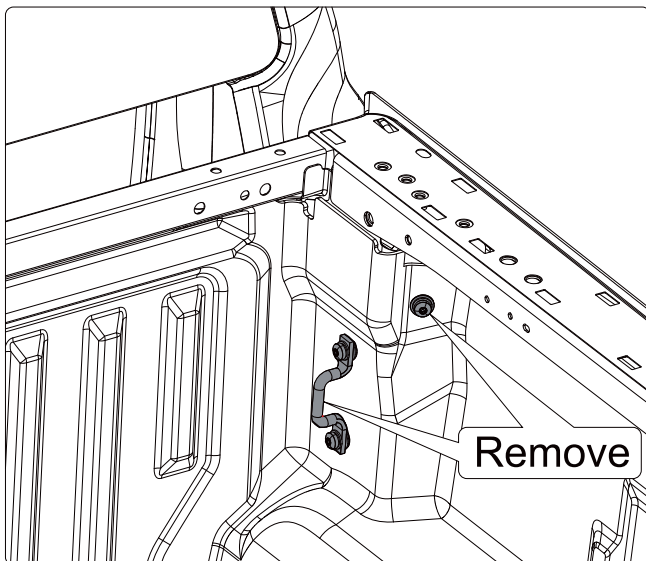
COMMERCIAL



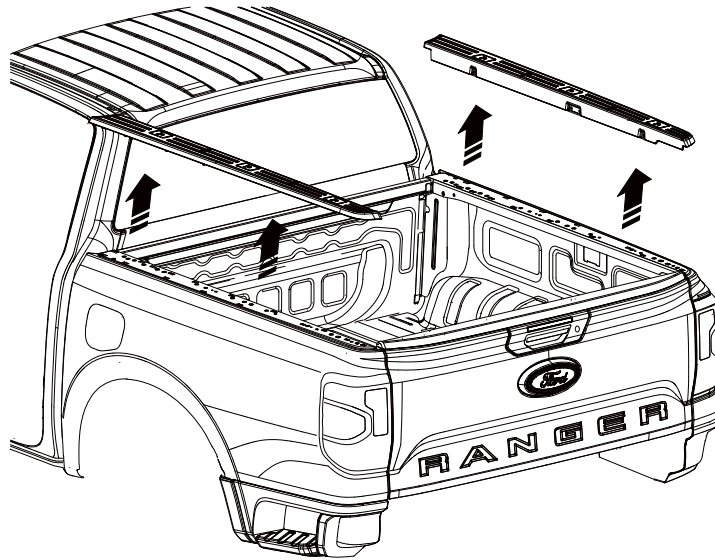
Code



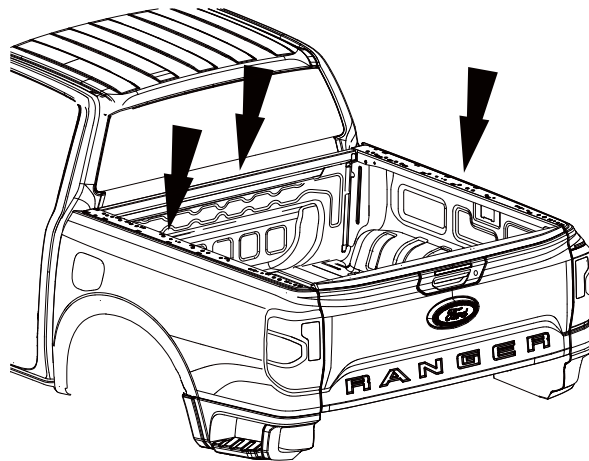
 Add Isolation to protect tub paint



1

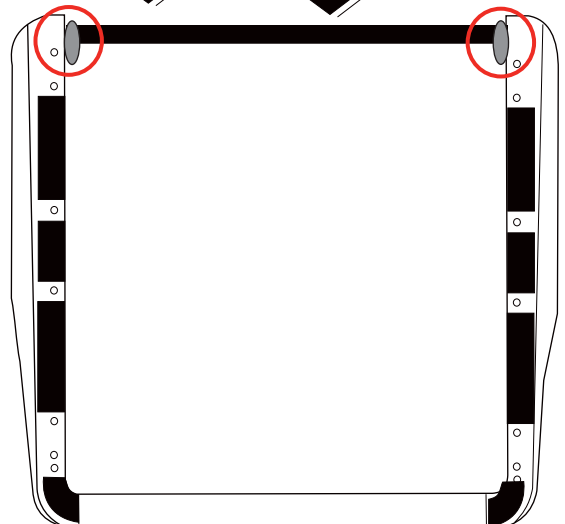
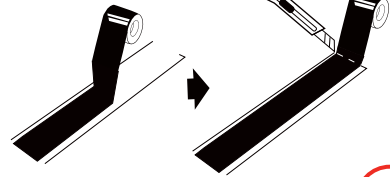
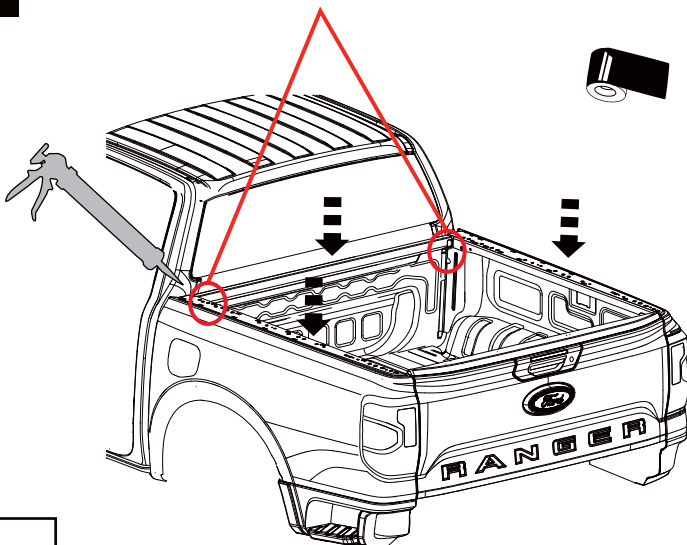


2

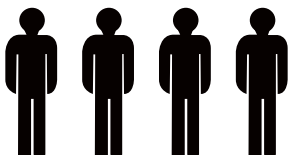
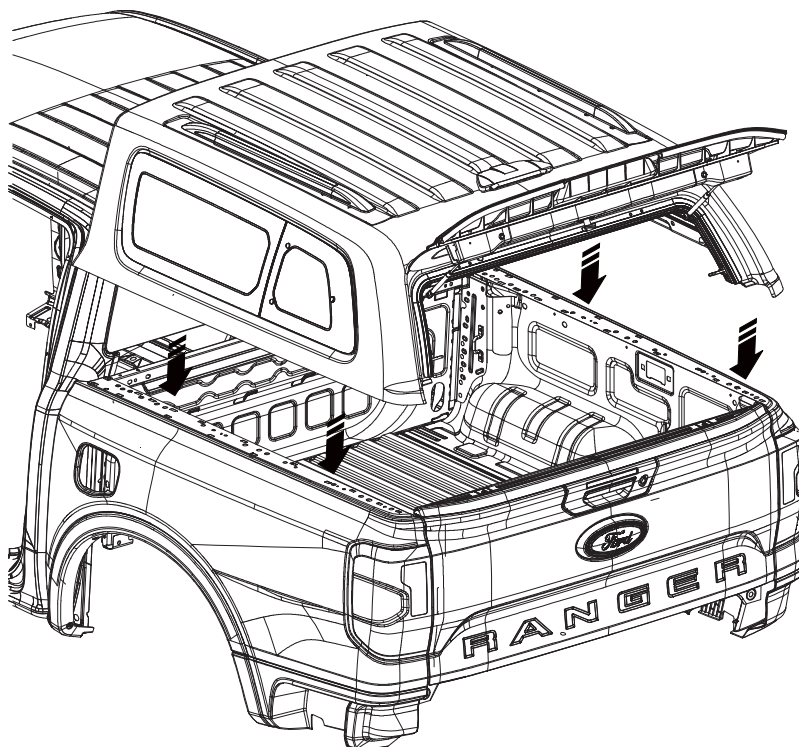
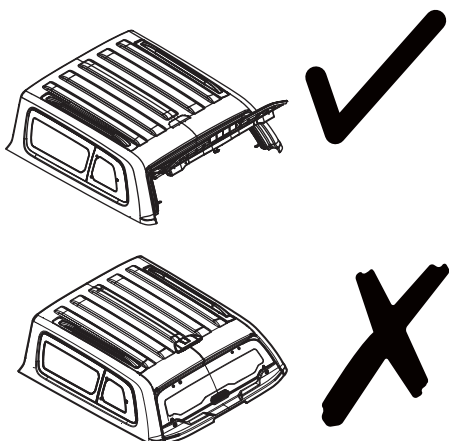


3

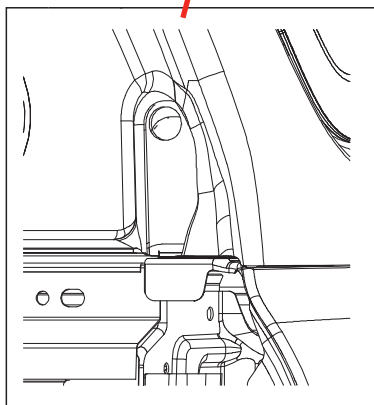
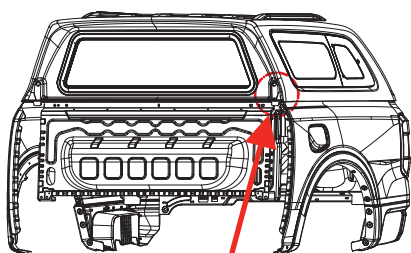
Added silicone to top of front corners. (LH and RH)



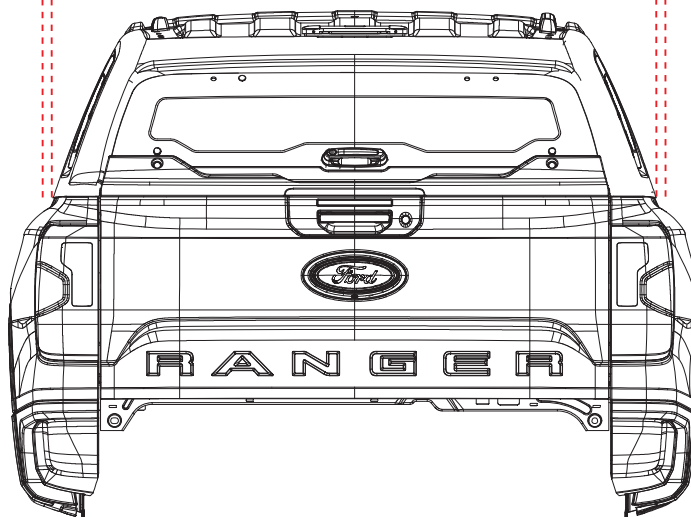
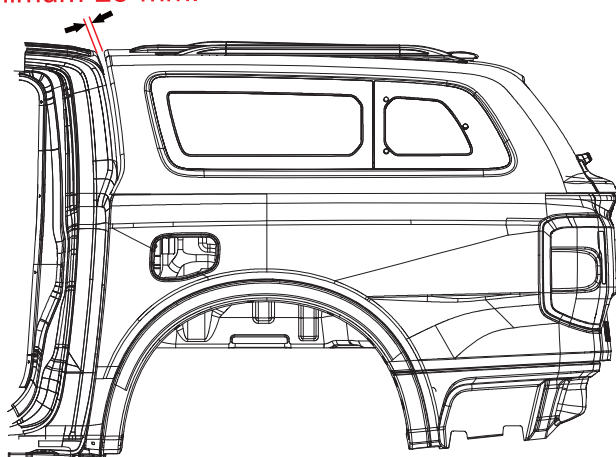
4



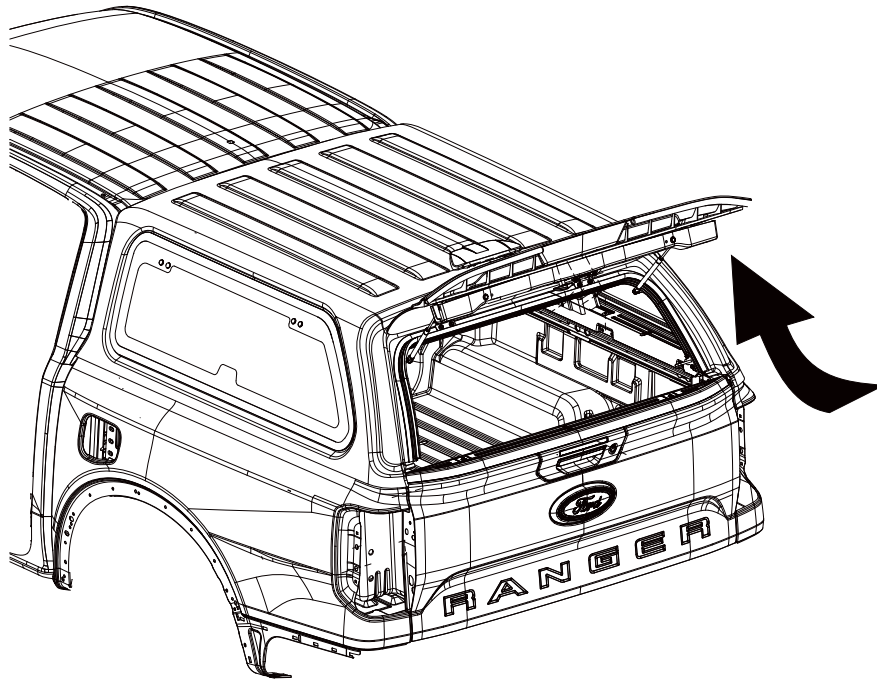
5



Minimum 25 mm.



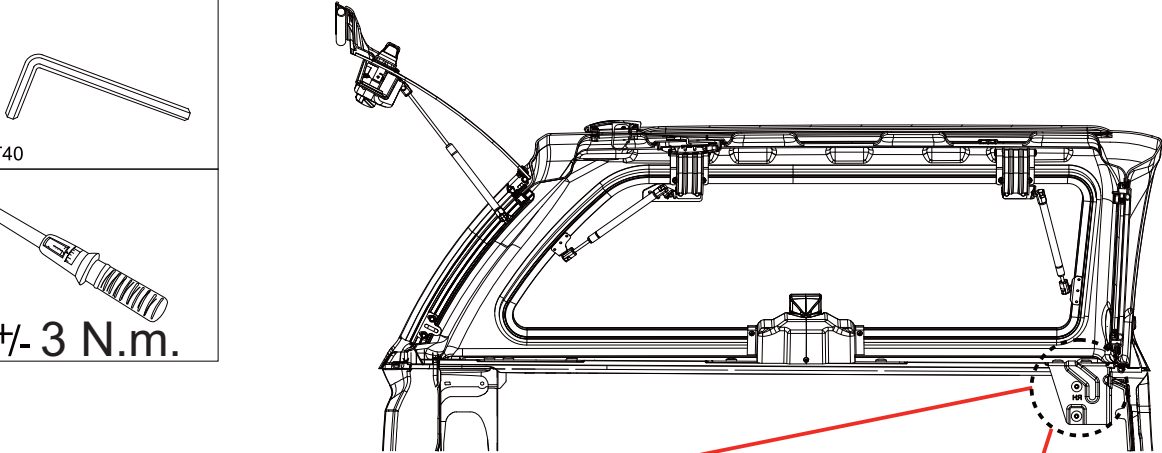
6



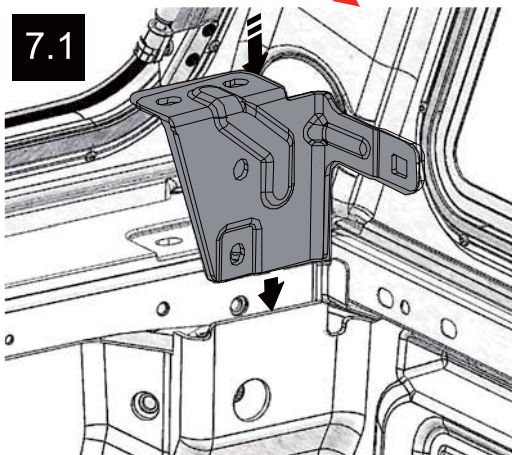
7

★ No. T40

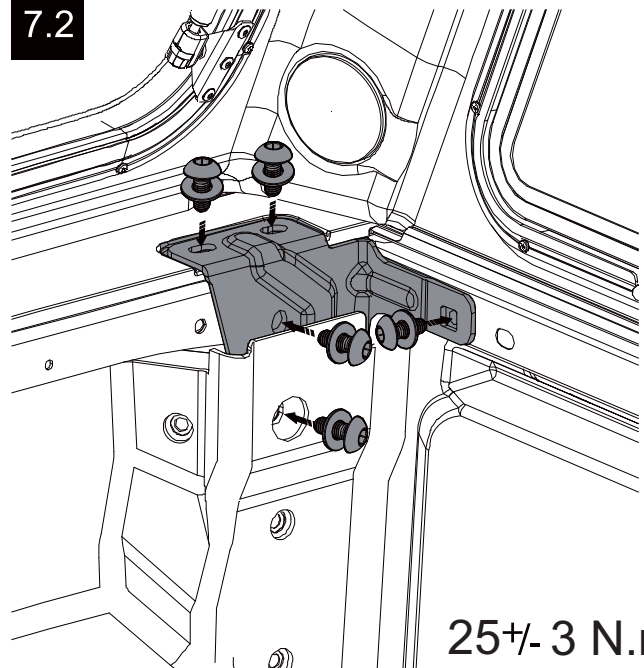
25± 3 N.m.



7.1



7.2



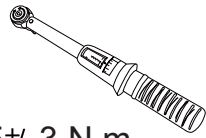
25± 3 N.m.



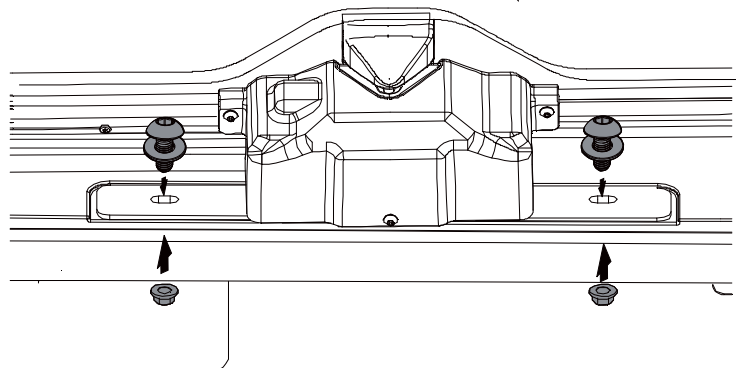
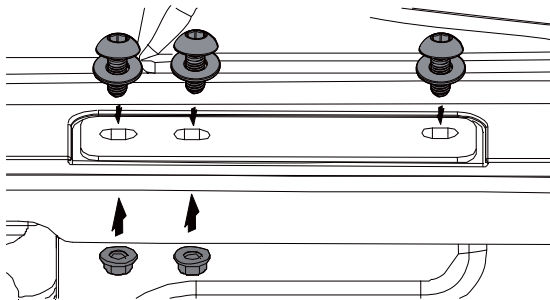
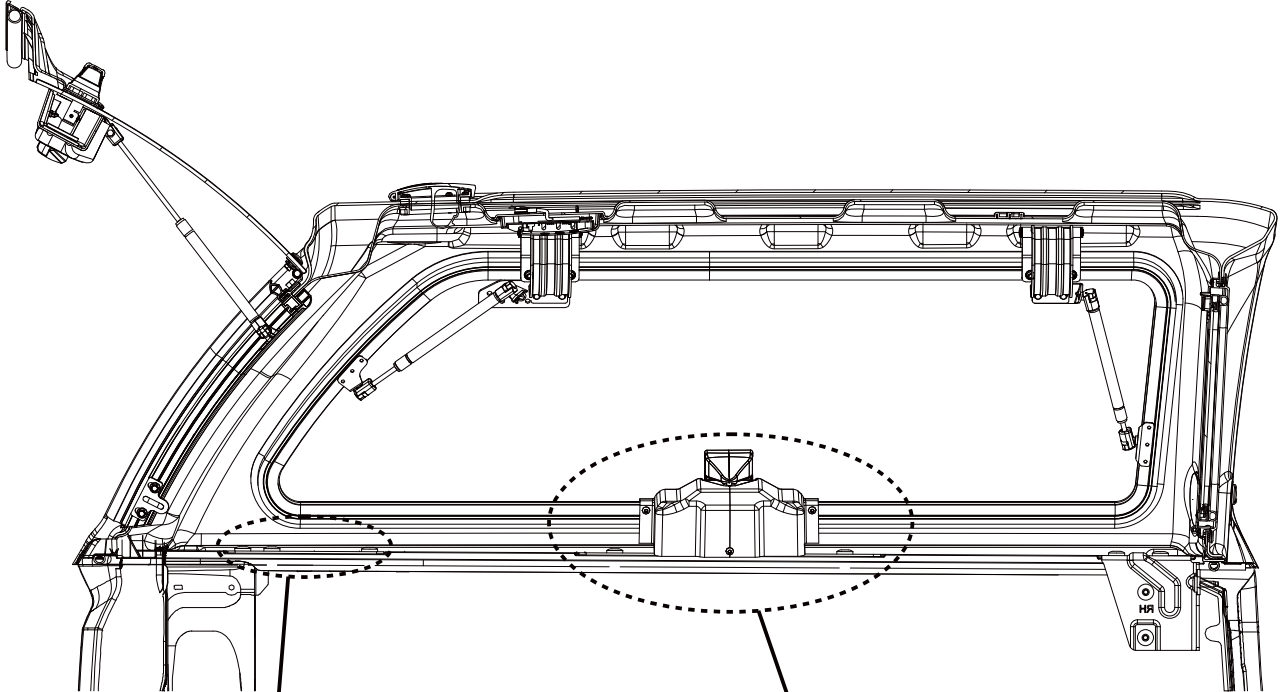
8



★ No.T40

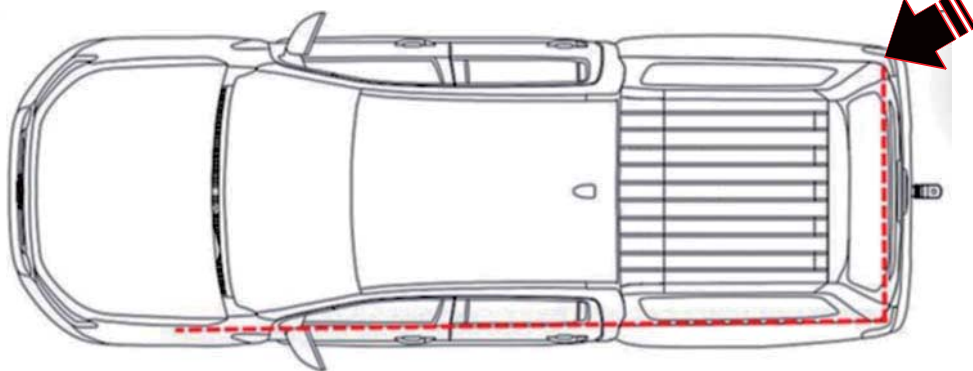
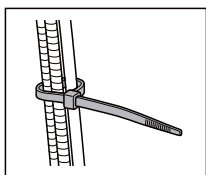


25± 3 N.m.

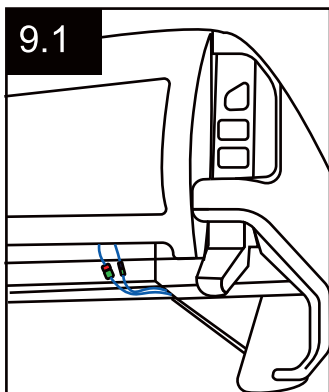


9

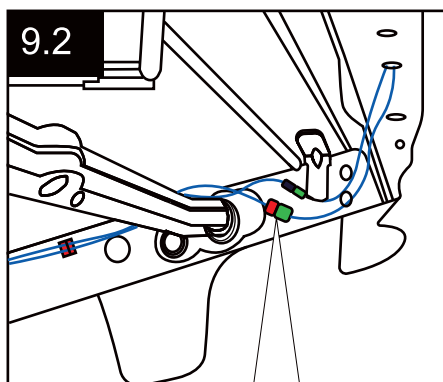
LIFT VEHICLE



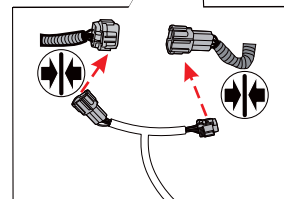
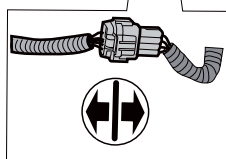
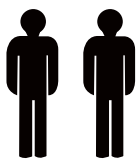
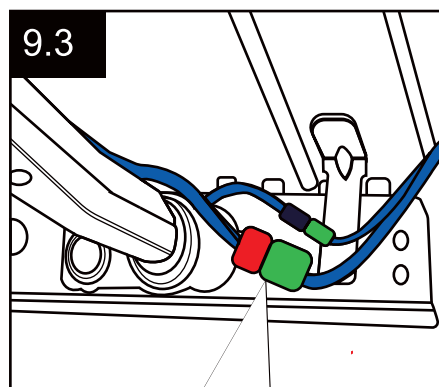
9.1



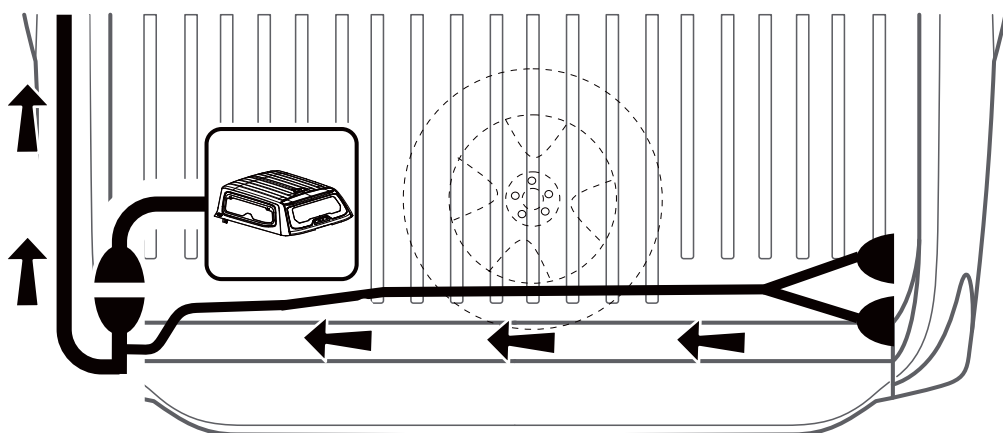
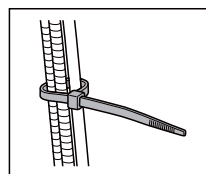
9.2



9.3

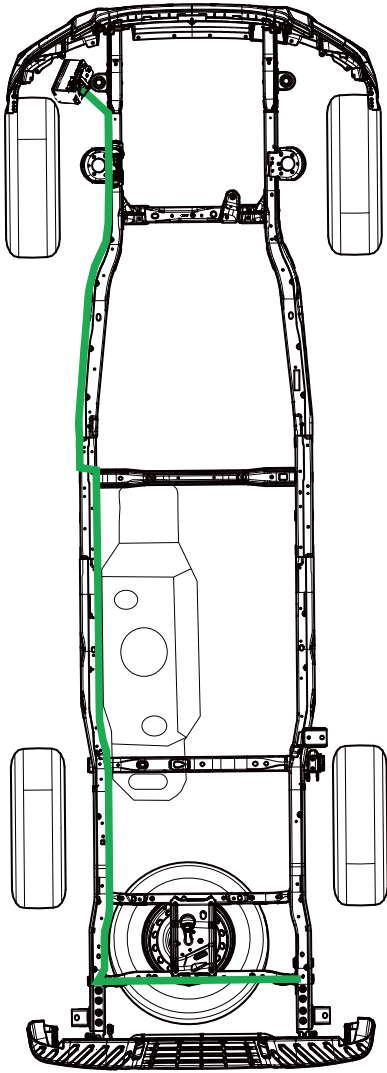


10





11

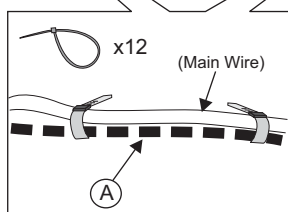
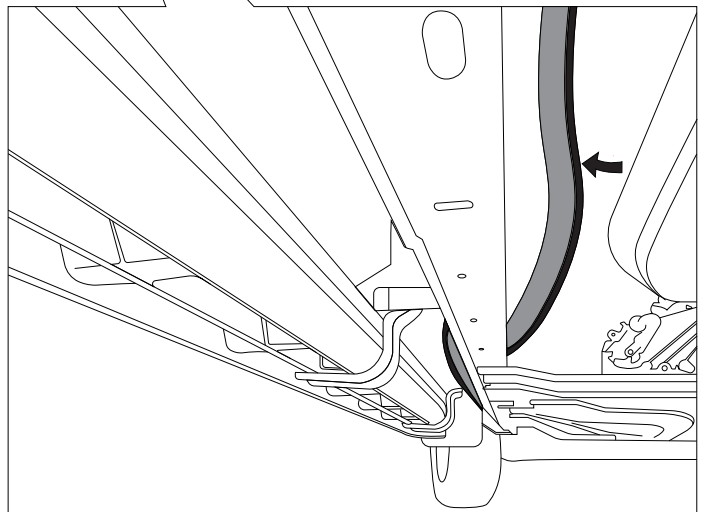
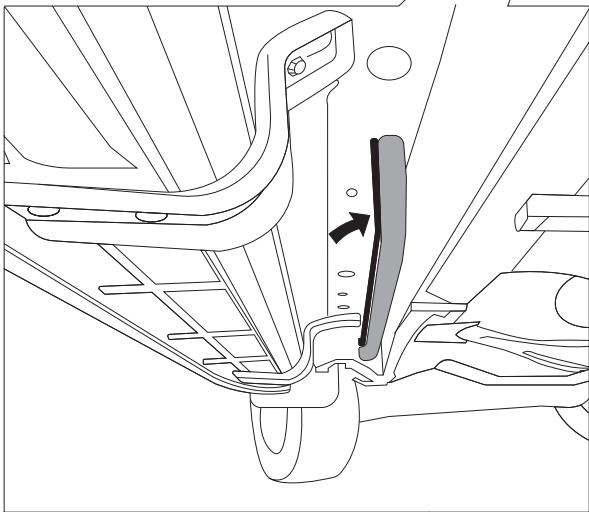
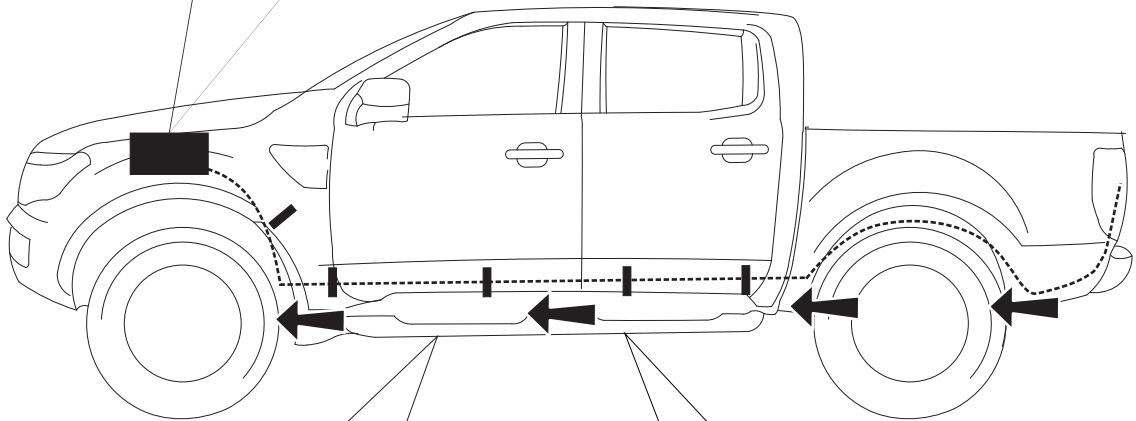
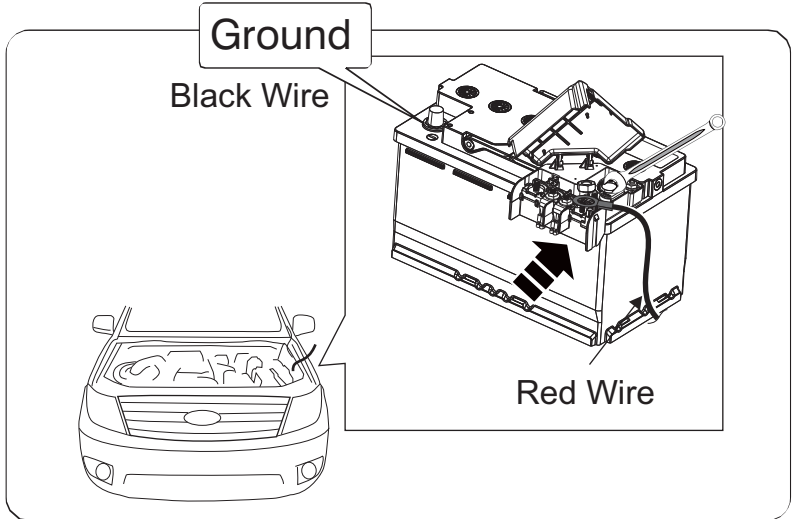
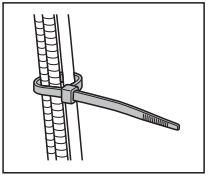


Canopy harness to follow to the main chassis wiring harness

Zip ties to be used every 300 mm. to secure the canopy harness to the chassis wiring harness.

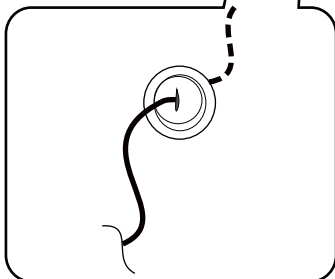
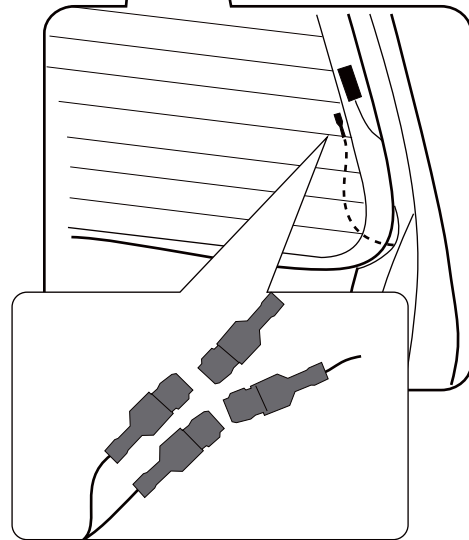
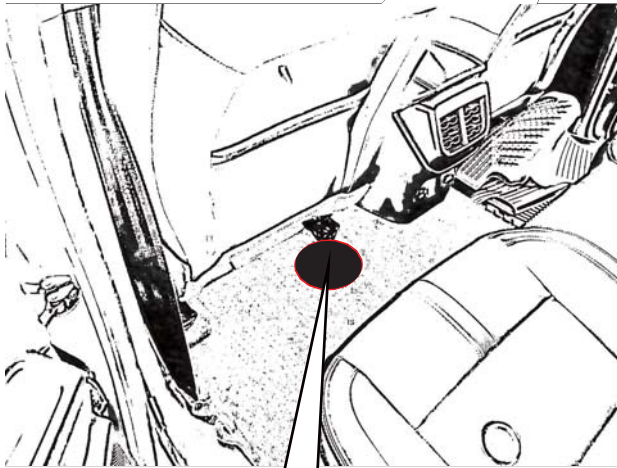
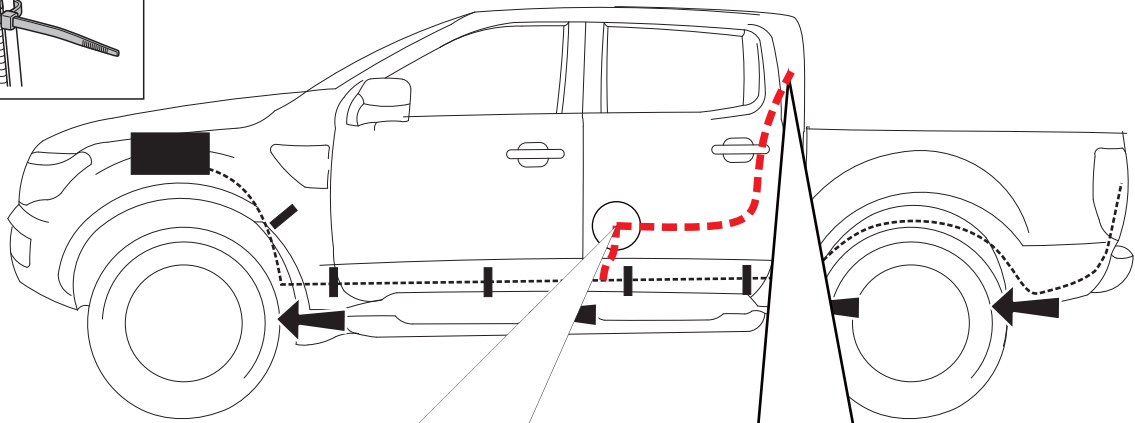
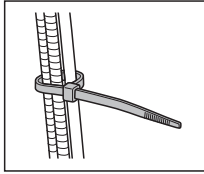
Canopy harness to route over the spare wheel and fuel tank

126

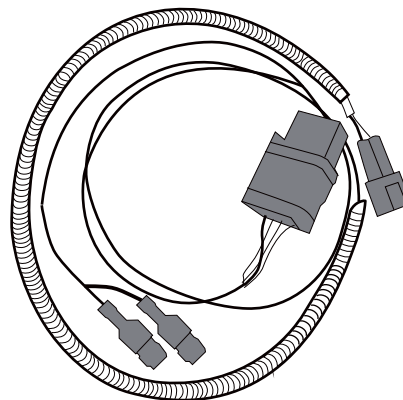


Every 300 mm.

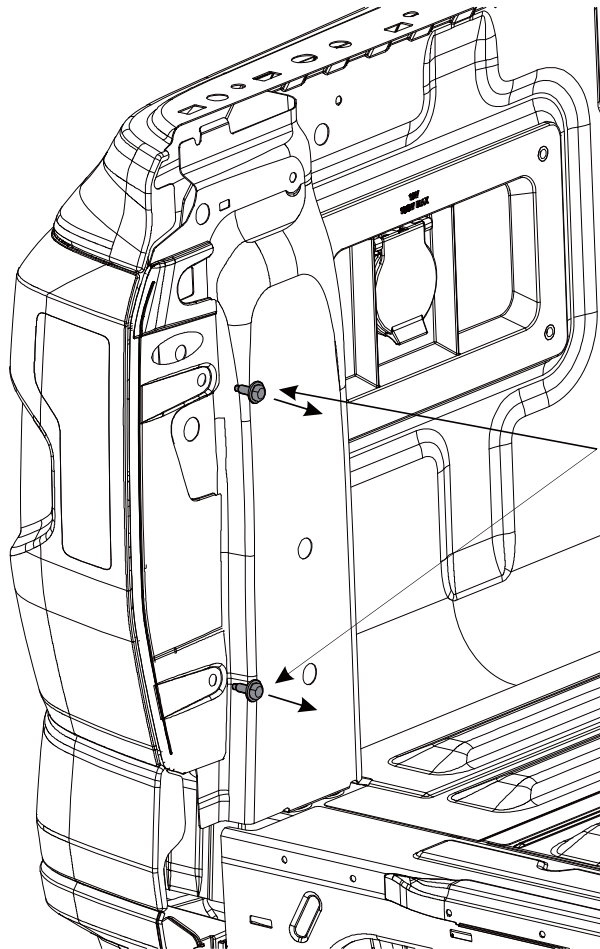
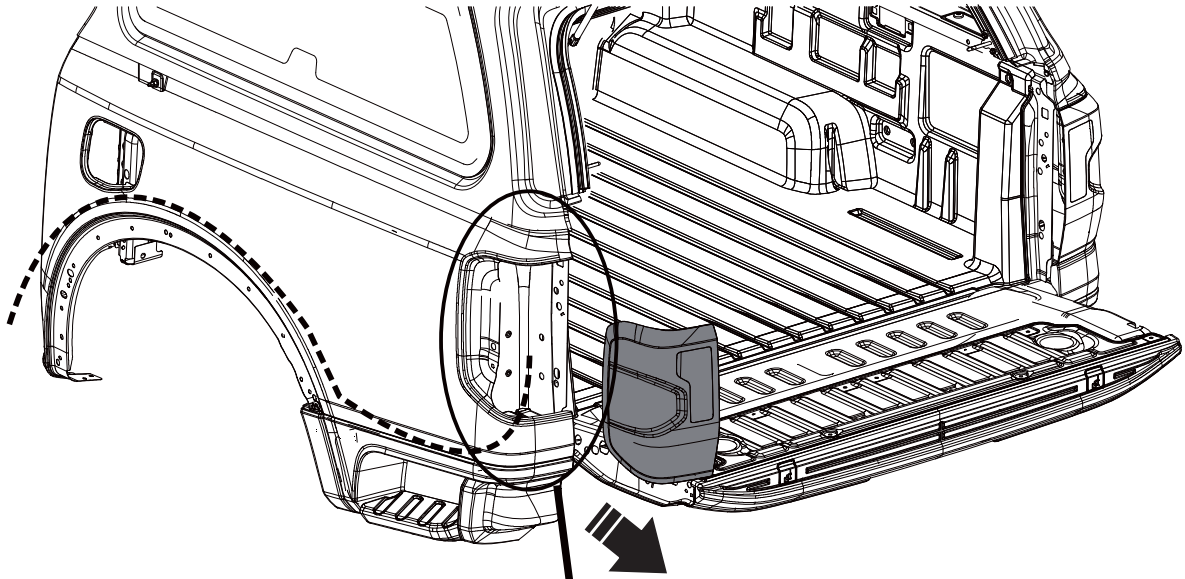
136



DEMIST OPTION  
Note: Ford Australia have not



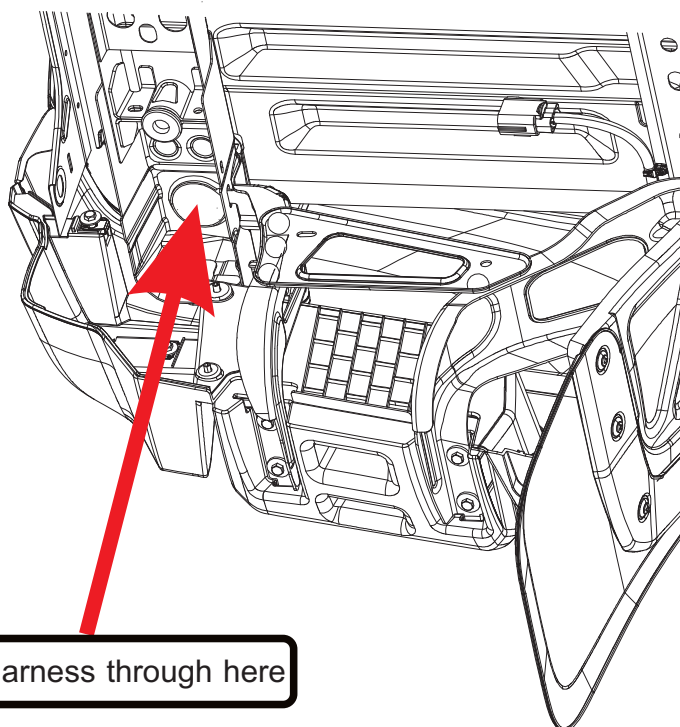
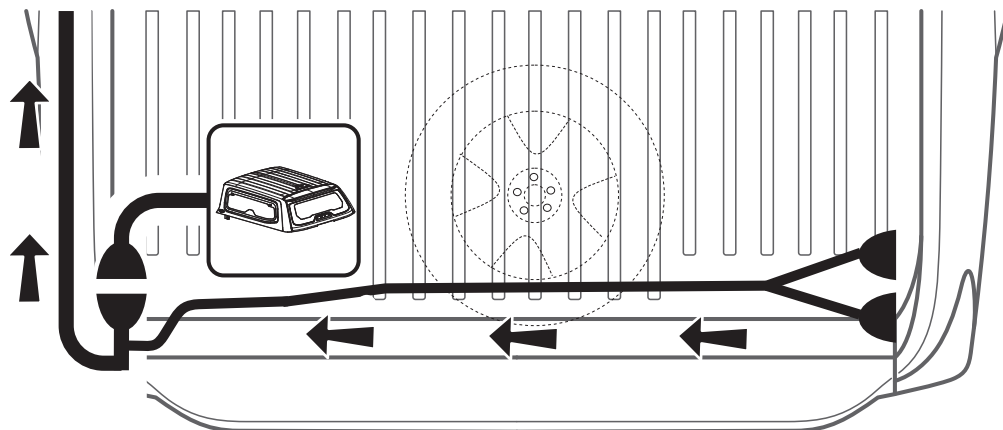
14



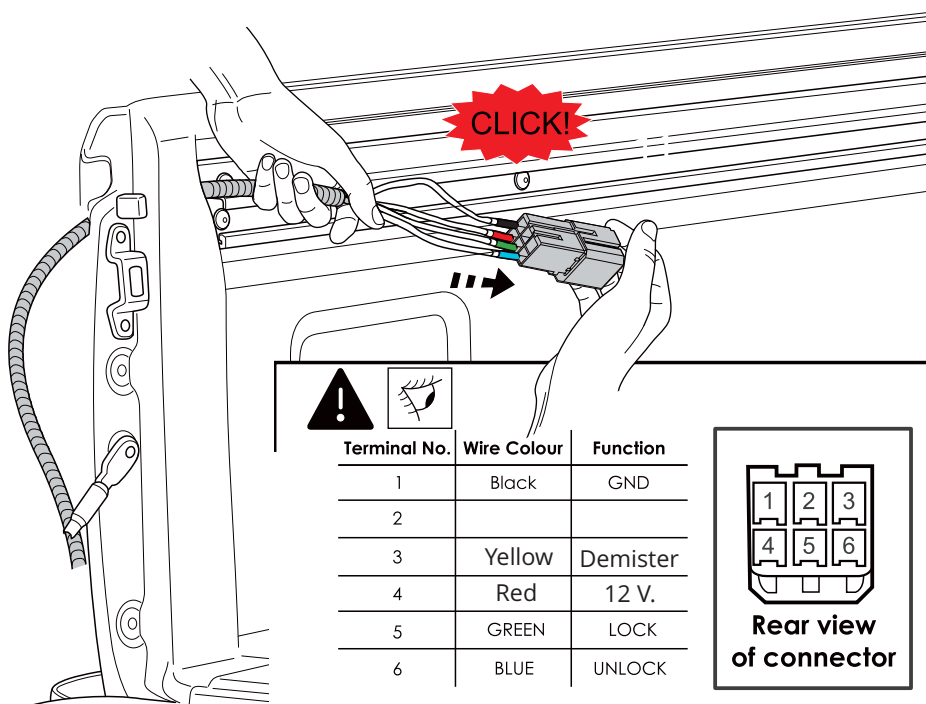
Remove Bolts.  
Do not disconnect lamp harness.



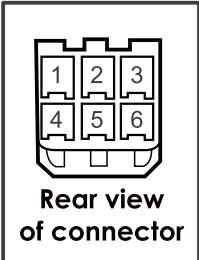
15



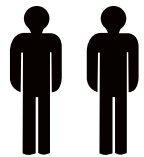
Feed canopy harness through here



Terminal No.	Wire Colour	Function
1	Black	GND
2		
3	Yellow	Demister
4	Red	12 V.
5	GREEN	LOCK
6	BLUE	UNLOCK

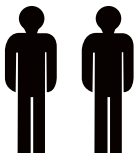
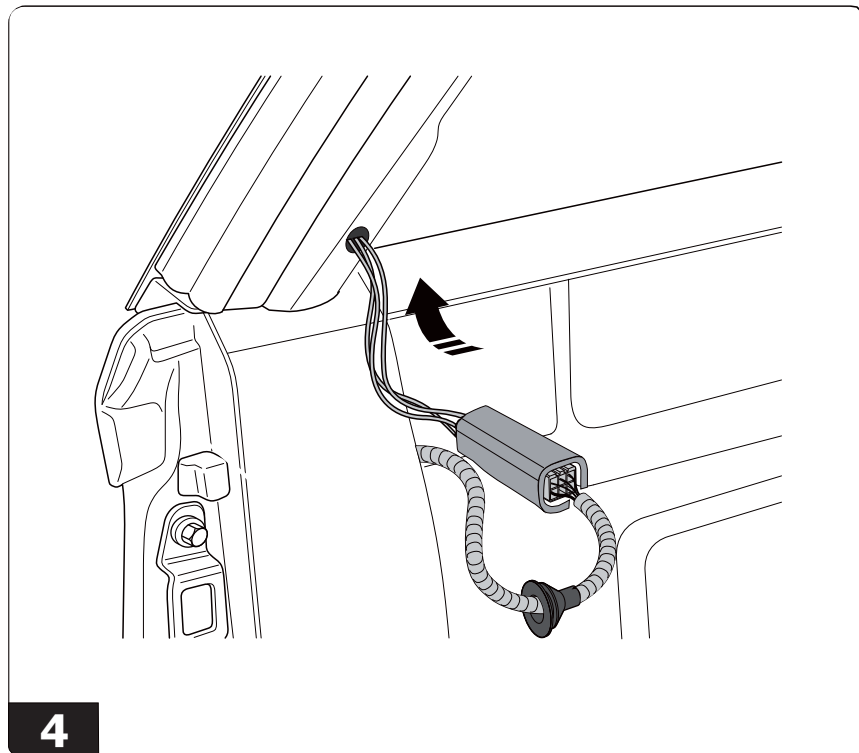
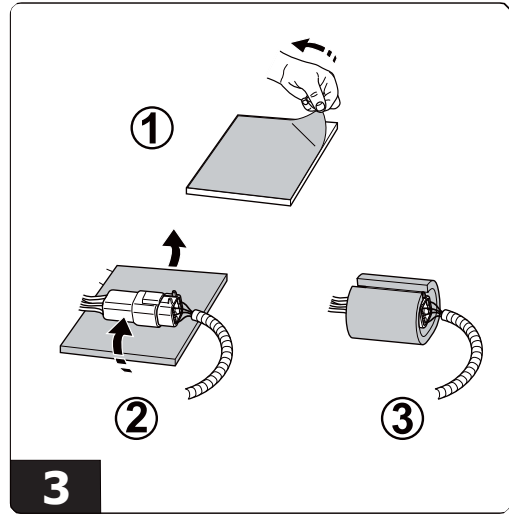
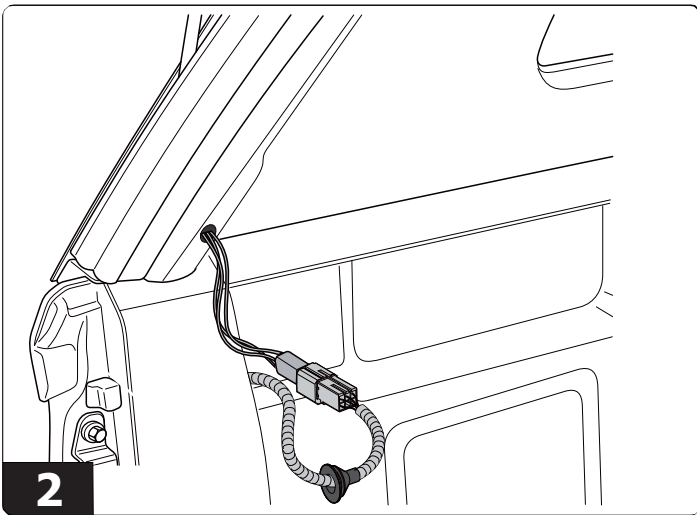
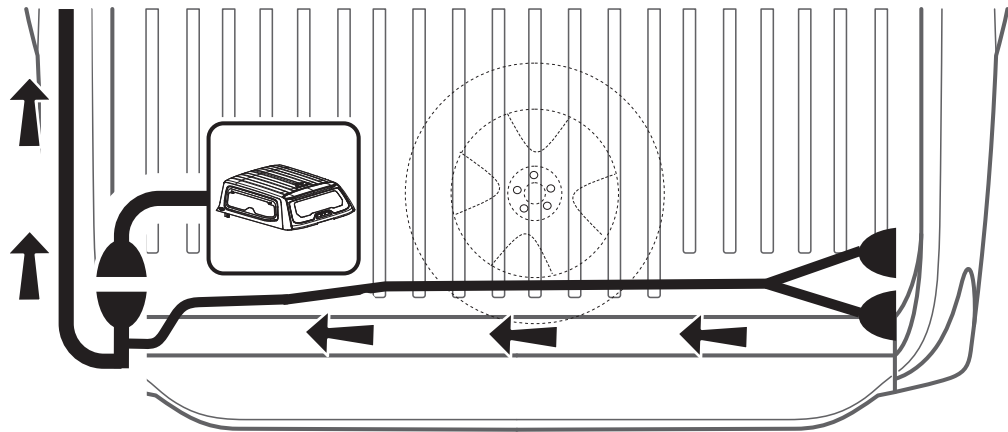


Rear view of connector

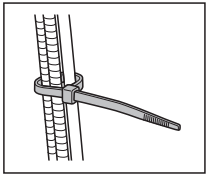


1

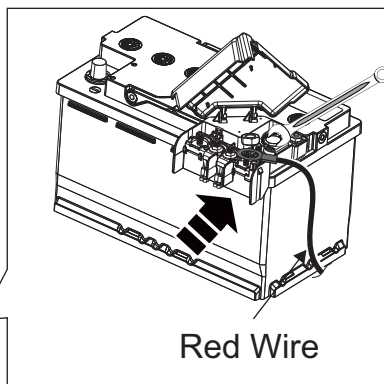
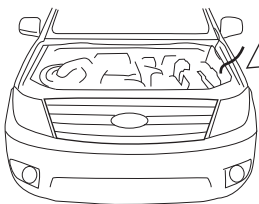
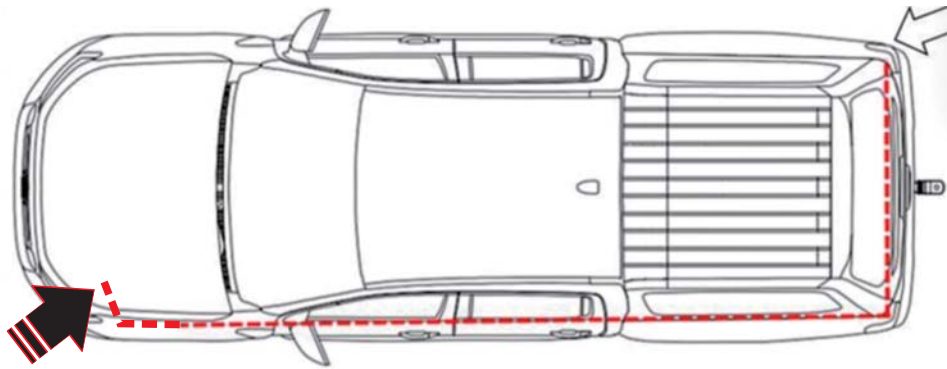
16



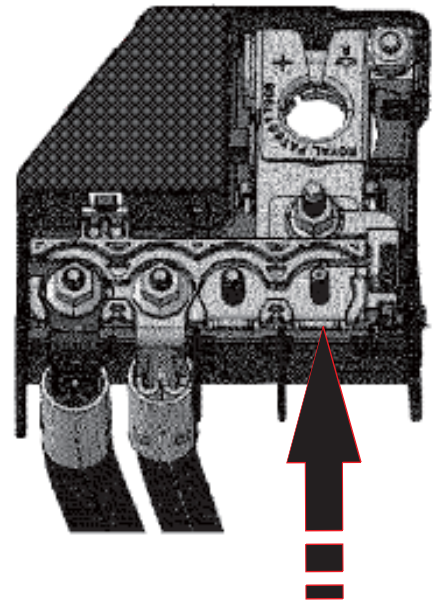
17



LIFT VEHICLE



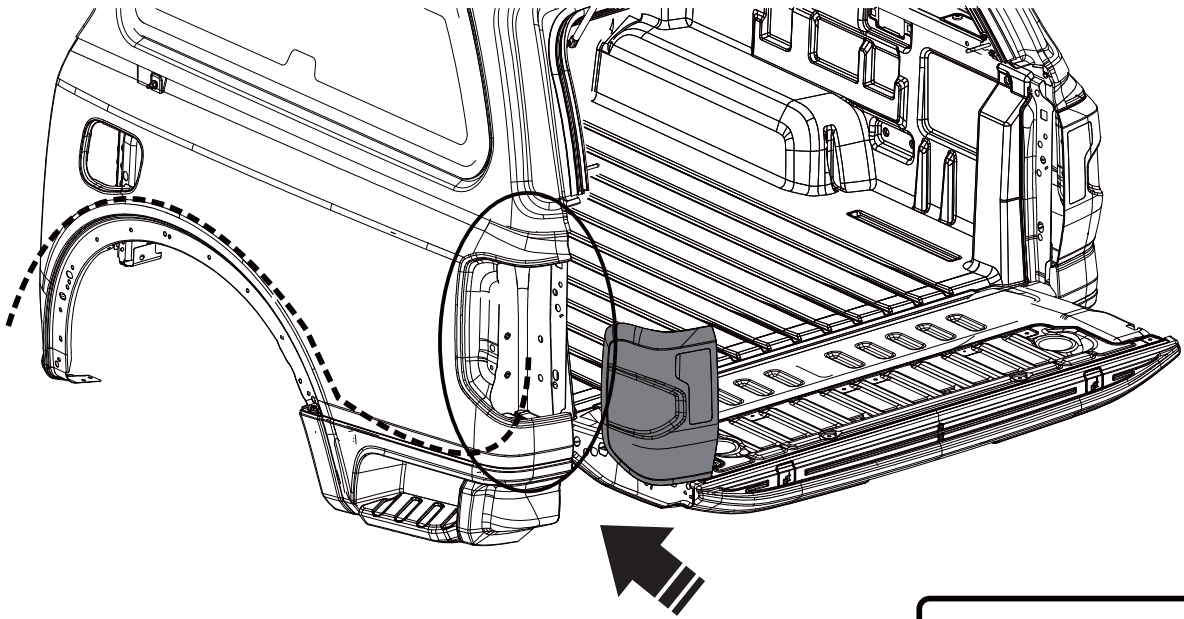
Red Wire



Use empty Terminal to connect ring connector and supplied nut. Torque 10Nm+/- 1.5Nm

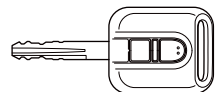
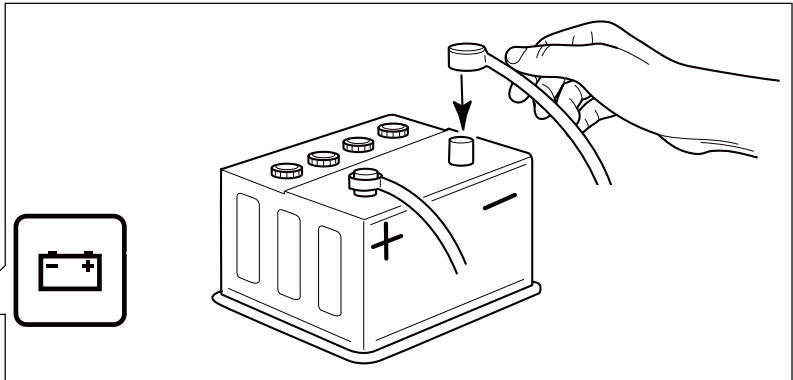
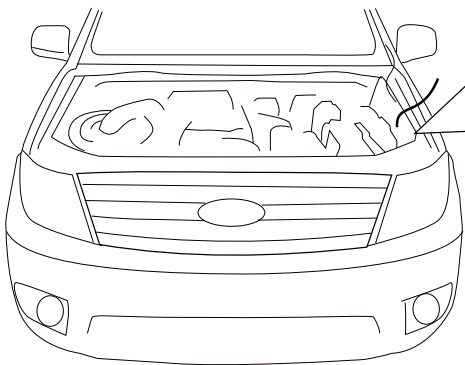
FOR TT BUILDS – NUT NOT PROVIDED. USE EXISTING TERMINAL

18



M6x16  
TORQUE 5.4 + 0.9 N-m.

19



Code



### **FUNCTION CHECKS AFTER INSTALLATION**

- Check Lock and Unlock feature on Canopy and tailgate are working correctly
- Check the unlatching buttons function correctly
- Ensure CHMSL, stop, park, indicators, licence plate lamps are functioning correctly
- Check to ensure canopy interior light turn on when opening the rear canopy hatch
- Check the lamp touch function (both lamps)